

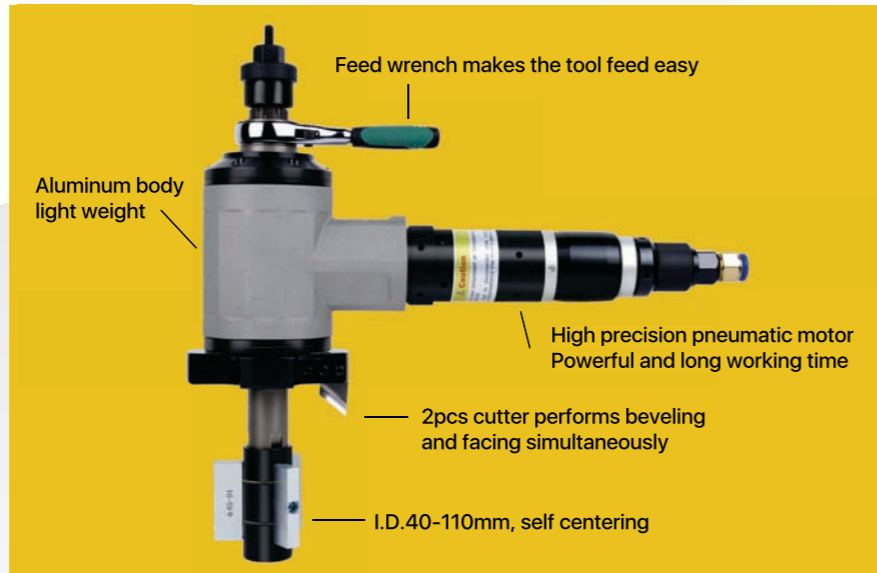
120

Features

Right angle tool rigidly mounts to tube I.D.
Can be positioned in any direction
Self-centering Clamping system
Easy set up & operation
Electric or Pneumatic driven for option

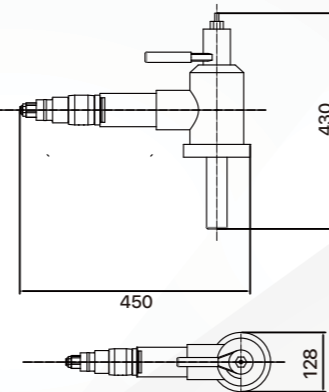
Standard Supply

Machine with its driven motor
Full set expanding blocks
Hand tools, Manual
Package: plywood case



Specification

Model	IDP-120	IDE-120	IDB-120
Driven	Pneumatic	Electric	Electric, Bosch motor
Power Supply	900L/Min@0.6Mpa	220-240V 1PH50/60HZ	220-240V 1PH50/60HZ
Motor Power	1 HP	1050W	1000W
Clamping Range (ID)	40-112mm	40-112mm	40-112mm
Working Range (OD)	4"(114.3mm)	4"(114.3mm)	4"(114.3mm)
Wall Thickness	≤15mm	≤15mm	≤15mm
Rotation Speed	40r/Min	37r/Min	38r/Min
Working Weight	12.5kgs	16kgs	16kgs
Shipping Weight	24kgs	27kgs	27kgs
Packing Size	610x520x210mm	610x520x210mm	610x520x210mm



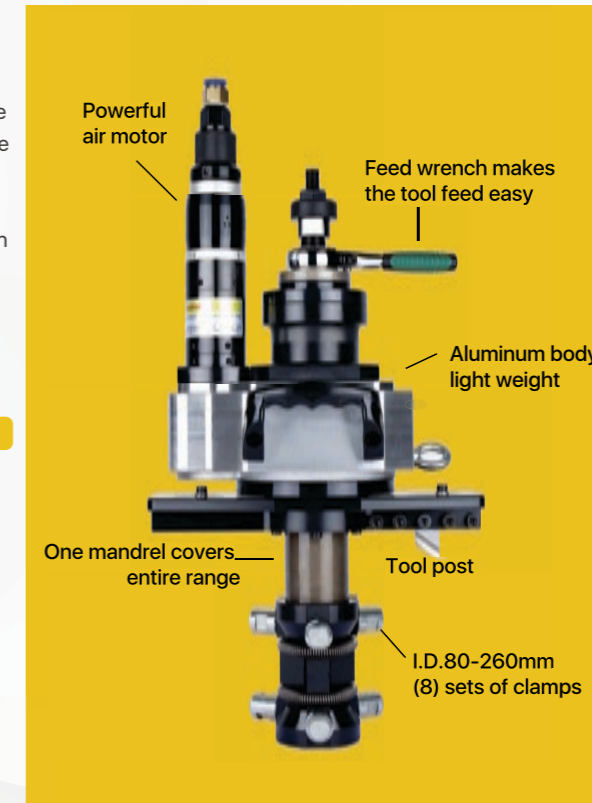
252

Features

Straight type, low radial clearance
(8) sets of clamps cover the entire range
One mandrel covers entire range
Can be positioned in any direction
Self-centering Clamping system
Easy set up & operation
Electric or Pneumatic driven for option

The ID-Mounted

IDP-252 is a wide working range machine cover 3"-10" OD pipe, makes it as a popular machine on the market. End prepping carbon steel, stainless steel, P-91 and other hard material.

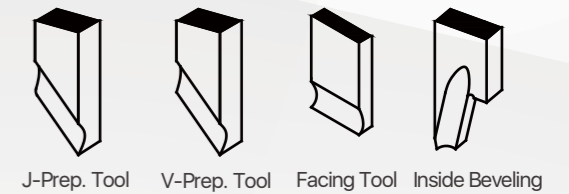


IDE Electric drive is interchangeable with Pneumatic drive, only change the motor.



Tool Bits

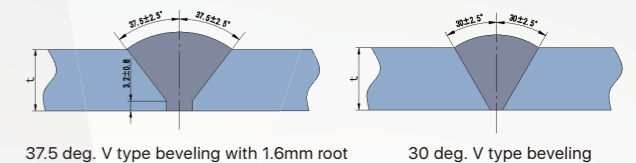
Standard tool:
V type beveling
U type beveling
Facing
* Contact us for tooling chart
* Consult us for special demand



Specification

Model	IDP-252	IDE-252
Driven	Pneumatic	Electric
Power Supply	1200L/Min@0.6Mpa	220-240V 1PH50/60HZ
Motor Power	1.5HP	1200W
Clamping Range(ID)	80-260mm	80-260mm
Working Range(OD)	10"(273.05mm)	10"(273.05mm)
Wall Thickness	≤20mm	≤20mm
Rotation Speed	26 r/Min	25r/min
Working Weight	37kgs	40kgs
Shipping Weight	48kgs	51kgs
Packing Size	720x375x315mm	720x375x315mm

Typical Buttwelding



Standard Supply

Machine with its driven motor
Full set expanding blocks
Hand tools, Manual
Package: plywood case

426



Features

- Straight type, low radial clearance
- Full sets of clamps cover the entire range
- One mandrel covers entire range
- Can be positioned in any direction
- Self-Centering clamping system
- Easy set up & operation
- Powerful electric motor

Specification

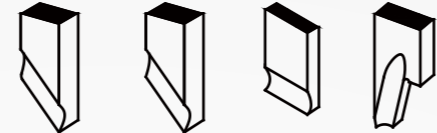
Model	IDE-426	IDE-630
Driven	Electric	Electric
Power Supply	220-240V 1PH 50/60HZ	220-240V 1PH 50/60HZ
Motor Power	1600W	1600W
Clamping(ID)	250-410mm	300-600mm
Max Working Range(OD)	16" (406.4mm)	24" (609.6mm)
Wall thickness	≤20mm	≤20mm
Rotation Speed	11r/Min	9r/Min
Working Weight	83kgs	107kgs
Shipping Weight	115kgs	166kgs
Package Size	940*530*420mm	940*700*460mm

630



Tool Bits

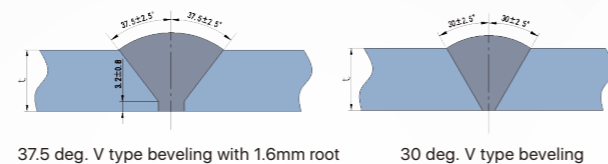
- Standard tool:
- V type beveling
- U type beveling
- Facing



J-Prep. Tool J-Prep. Tool Facing Tool Inside Beveling

- * Consult us for special demand
- * Contact us for tooling chart

Typical Buttwelding



Standard Supply

- Machine with its driven motor
- Full set expanding blocks
- Hand tools, Manual
- Package: plywood case

Tooling Chart

Facing tools			
Description	Part Number	Application	Sketch
M42 Facing tool 6X22mm, Step type	42F-0622S	V1	
M42 Facing tool 8X22mm, Step type	42F-0822S	V3, V6, V8 80, 120, 252	
M42 Facing tool 8X22mm	42F-0822	V3, V6, V8 80, 120, 252	
M42 Facing tool 10X25mm	42F-1025	V14	
M42 Facing tool 20x20mm	42F-2020	426,630	
Beveling tools			
Description	Part Number	Application	Sketch
M42 Beveling Tool 6X22mm, Step type	42B-0622S-30°	V1 a is beveling angle required	
	42B-0622S-37.5°		
	42B-0622S -a		
M42 Beveling Tool 8X22mm, Step type	42B-0822S-30°	V3, V6, V8 80, 120, 252 a is beveling angle required	
	42B-0822S-37.5°		
	42B-0822S -a		
M42 Beveling Tool 8X22mm	42B-0822-30°	V3, V6, V8 80, 120, 252 a is beveling angle required	
	42B-0822-37.5°		
	42B-0822 -a		
M42 Beveling Tool 10X25mm	42B-1025-30°	V14 a is beveling angle required	
	42B-1025-37.5°		
	42B-1025 -a		
M42 Beveling tool 20x20mm	42B-2020-a	426, 630 a is beveling angle required	
Inner Beveling tools			
Description	Part Number	Application	Sketch
M42 Inner Beveling tool 8X22mm, Step type	42I B-0822S-12°	V3, V6, V8 80, 120, 252 a is beveling angle required	
	42I B-0822S-15°		
	42I B-0822S -a		
M42 Inner Beveling tool 8X22mm	42I B-0822-12°	V3, V6, V8 80, 120, 252 a is beveling angle required	
	42I B-0822-15°		
	42I B-0822 -a		
M42 Inner Beveling tool 10X25mm	42I B-1025-12°	V14 a is beveling angle required	
	42I B-1025-15°		
	42I B-1025 -a		
M42 Inner Beveling tool 20x20mm	42IB-2020-a	426, 630 a is beveling angle required	

* Consult us for special application